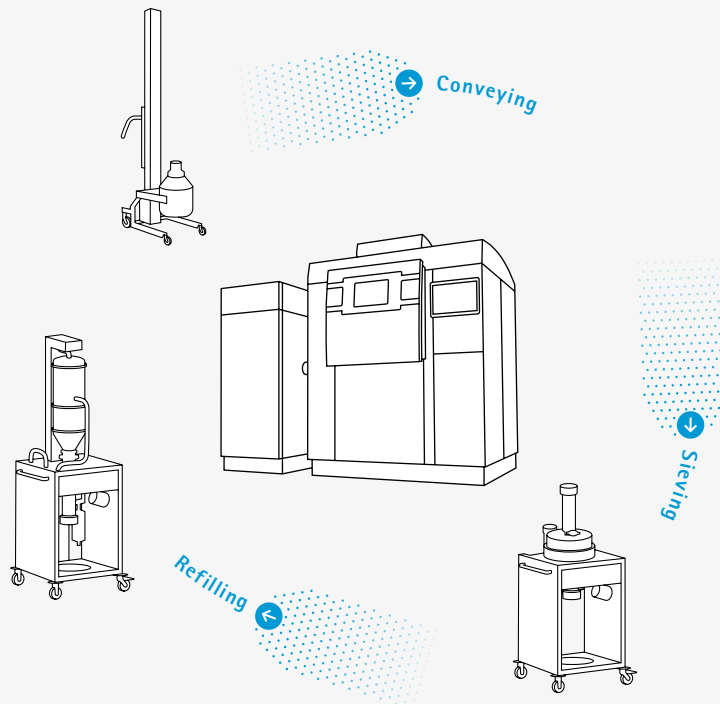




IPCM M extra
Integrated Process Chain Management
for EOS Metal Systems

IPCM M extra

The Flexible Solution for Multiple Machines and Materials



Material handling with the IPCM M extra modules enables the highest part quality and optimizes both productivity and economics. Together with the Comfort Powder Module, the risk of material contact is reduced to a minimum.

- Semi-automated sieving ensures consistent process conditions for reliable part production
- Easy to perform material quality assurance between jobs if desired
- Suitable for quality management systems, e.g. material tracing, storage of material batches with identification
- Quick and dust-free emptying and filling of system even with large material volumes
- Material handling can be done parallel to part production

Headquarters

EOS GmbH
Electro Optical Systems
Robert-Stirling-Ring 1
D-82152 Krailling/Munich
Germany
Phone +49 89 893 36-0
info@eos.info

www.eos.info

in EOS
 EOSGmbH
 EOS.global
 EOSGmbH
 #ShapingFuture

Further Offices

EOS France
Phone +33 437 497 676

EOS Greater China
Phone +86 21 602 307 00

EOS India
Phone +91 443 964 8000

EOS Italy
Phone +39 023 340 1659

EOS Japan
Phone +81 45 670 0250

EOS Korea
Phone +82 2 6330 5800

EOS Nordic & Baltic
Phone +46 31 760 4640

EOS North America
Phone +1 877 388 7916

EOS Singapore
Phone +65 6430 0463

EOS UK
Phone +44 1926 675 110

Technical Data Powder Conveying Module

Application	Conveying of metal powder material
Compressed air supply	5.5–6 bar, up to 1204 NI/min
Power supply	100–240 V, 0.1 kW
Dimension (W x D x H)	770 x 690 x 2060 mm

Technical Data Powder Sieving Module

Application	Sieving of metal powder material
Mesh size	Standard 63 µm, other sizes possible
Operation principle	Vibratory sieving with ultrasonic deblinding
Power supply	400 V, 115 W
Dimension (W x D x H)	750 x 790 x 1510 mm

